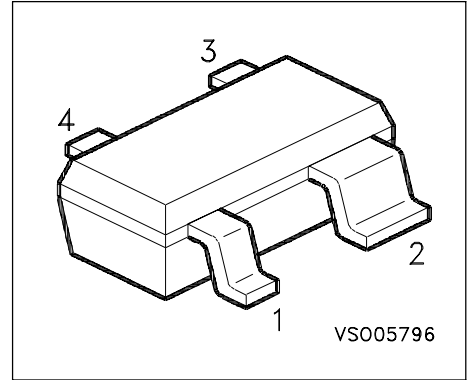


## Silicon N-Channel MOSFET Tetrode

- Short-channel transistor with high S/C quality factor
  - For low noise, gain-controlled input stages up to 1 GHz
- Reverse pinout version of BF998



**ESD:** Electrostatic discharge sensitive device, observe handling precaution!

Type	Marking	Ordering Code	PIN Configuration				Package
BF 998R	MOŠ	Q62702-F1177	1 = D	2 = S	3 = G <sub>1</sub>	4 = G <sub>2</sub>	SOT-143R

All electrical data identical to the corresponding type without " R ".

## Package

