

HD74LS165A

Parallel-Load 8-bit Shift Register

REJ03D0449-0300
 Rev.3.00
 Jul.15.2005

The LS165A are 8-bit serial shift registers that shift the data in the direction of Q_A toward Q_H when clocked. Parallel-in access to each stage is made available by eight individual direct data inputs that are enabled by a low level at the shift / load input. These registers also feature gated clock inputs and complementary outputs from the eighth bit. All inputs are diode-clamped to minimize transmission-line effects, thereby simplifying system design.

Clocking is accomplished through a 2-input positive-NOR gate, permitting one input to be used as a clock-inhibit function. Holding either of the clock inputs high inhibits clocking and holding either clock input low with the shift / load input high enables the other clock input. The clock-inhibit input should be changed to the high level only while the clock input is high. Parallel loading is inhibited as long as the shift / load input is high. Data at the parallel inputs are loaded directly into the register on a high-to-low transition of the shift / load input independently of the levels of the clock, clock inhibit, or serial inputs.

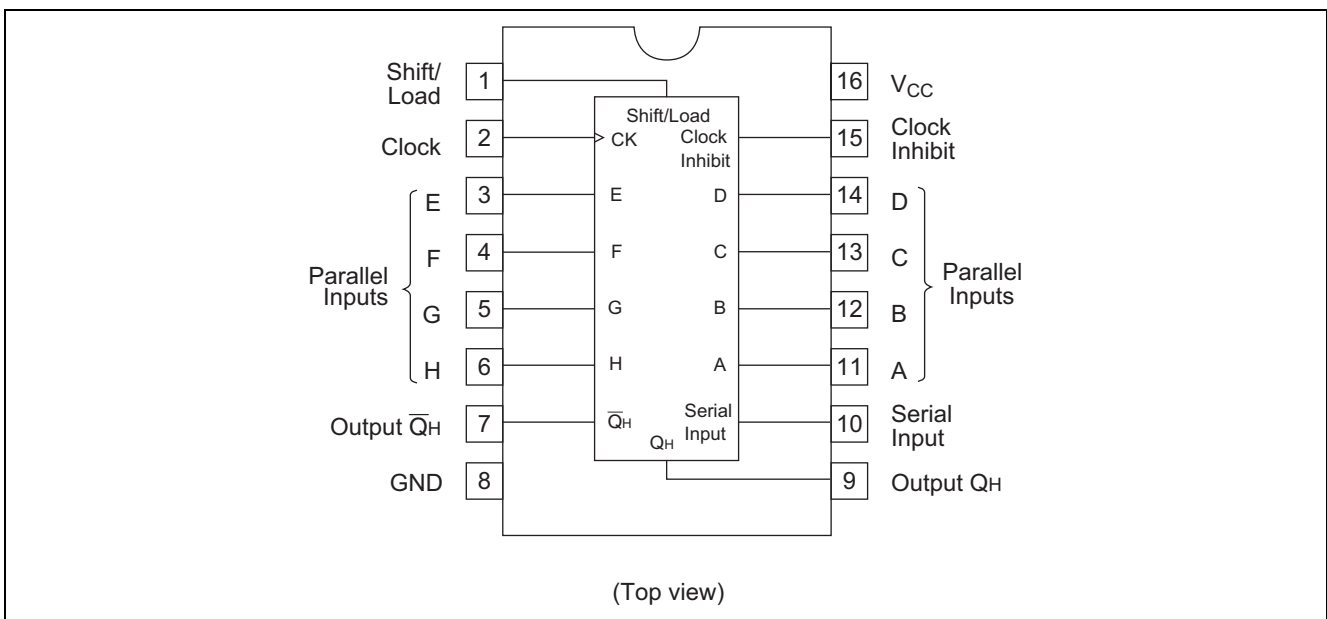
Features

- Ordering Information

Part Name	Package Type	Package Code (Previous Code)	Package Abbreviation	Taping Abbreviation (Quantity)
HD74LS165AP	DILP-16 pin	PRDP0016AE-B (DP-16FV)	P	—
HD74LS165AFPEL	SOP-16 pin (JEITA)	PRSP0016DH-B (FP-16DAV)	FP	EL (2,000 pcs/reel)

Note: Please consult the sales office for the above package availability.

Pin Arrangement

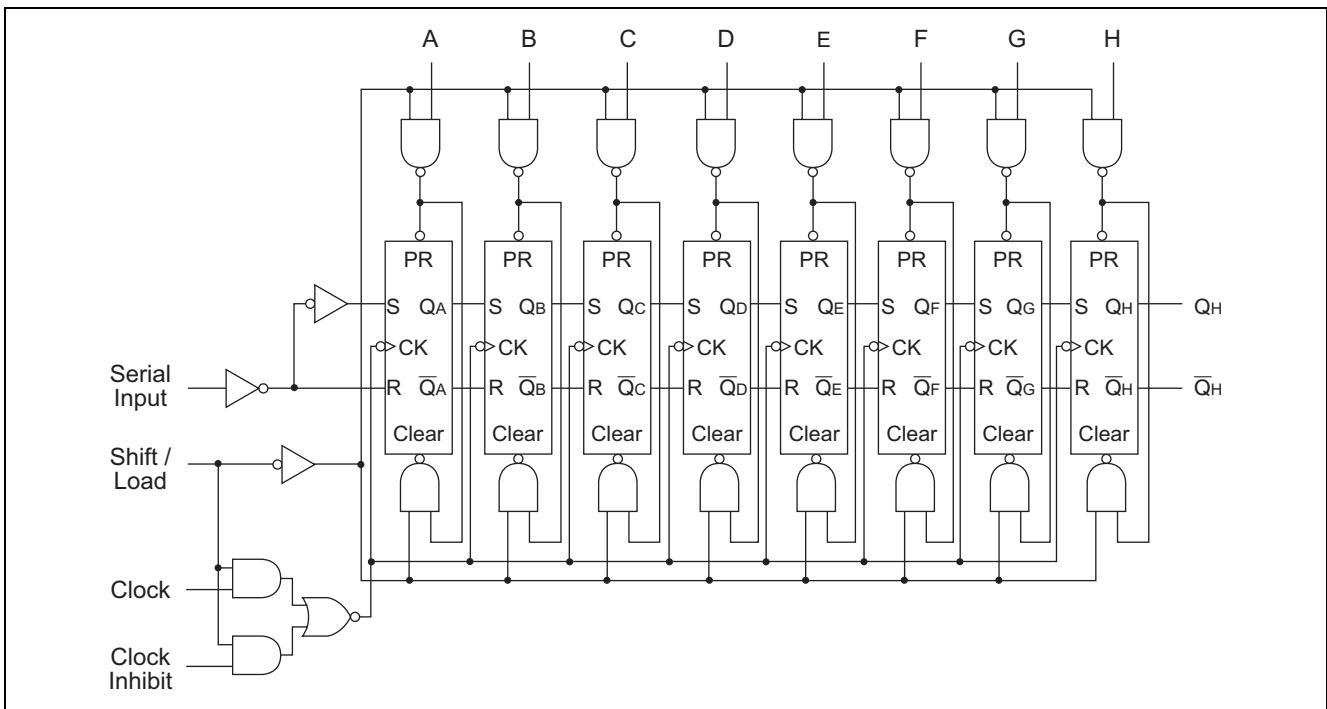


Function Table

Shift / Load	Clock Inhibit	Inputs			Internal outputs		Output Q_H
		Clock	Serial	Parallel A...H	Q_A	Q_B	
L	X	X	X	a...h	a	b	h
H	L	↑	X	X	Q_{A0}	Q_{B0}	Q_{H0}
H	L	↑	H	X	H	Q_{An}	Q_{Gn}
H	L	↑	L	X	L	Q_{An}	Q_{Gn}
H	H	X	X	X	Q_{A0}	Q_{B0}	Q_{H0}

- Notes:
1. H; high level, L; low level, X; irrelevant
 2. ↑; transition from low to high level
 3. a to h; the level of steady-state input at inputs A to H respectively
 4. Q_{A0} to Q_{H0} ; the level of Q_A to Q_H , respectively, before the indicated steady-state input conditions were established.
 5. Q_{An} to Q_{Gn} ; the level of Q_A to Q_G , respectively, before the most recent ↓ transition of the clock.

Block Diagram



Absolute Maximum Ratings

Item	Symbol	Ratings	Unit
Supply voltage	V_{CC}	7	V
Input voltage	V_{IN}	7	V
Power dissipation	P_T	400	mW
Storage temperature	T_{stg}	-65 to +150	°C

Note: Voltage value, unless otherwise noted, are with respect to network ground terminal.

Recommended Operating Conditions

Item	Symbol	Min	Typ	Max	Unit
Supply voltage	V_{CC}	4.75	5.00	5.25	V
Output current	I_{OH}	—	—	-400	μA
	I_{OL}	—	—	8	mA
Operating temperature	T_{opr}	-20	25	75	$^{\circ}C$
Clock frequency	f_{clock}	0	—	25	MHz
Clock pulse width	$t_w (clock)$	25	—	—	ns
Load pulse width	$t_w (load)$	15	—	—	ns
Clock enable setup time	t_{su}	30	—	—	ns
Parallel input setup time	t_{su}	10	—	—	ns
Serial input setup time	t_{su}	20	—	—	ns
Shift setup time	t_{su}	45	—	—	ns
Hold time	t_h	0	—	—	ns

Electrical Characteristics

($T_a = -20$ to $+75^{\circ}C$)

Item		Symbol	min.	typ.*	max.	Unit	Condition
Input voltage		V_{IH}	2.0	—	—	V	
		V_{IL}	—	—	0.8	V	
Output voltage		V_{OH}	2.7	—	—	V	$V_{CC} = 4.75 V, V_{IH} = 2 V, V_{IL} = 0.8 V, I_{OH} = -400 \mu A$
		V_{OL}	—	—	0.4	V	$I_{OL} = 4 mA$
Input current	Shift / Load	I_i	—	—	0.3	mA	$V_{CC} = 5.25 V, V_i = 7 V$
	Other inputs		—	—	0.1	mA	
High level input current	Shift / Load	I_{IH}	—	—	60	μA	$V_{CC} = 5.25 V, V_i = 2.7 V$
	Other inputs		—	—	20	μA	
Low level input current	Shift / Load	I_{IL}	—	—	-1.2	mA	$V_{CC} = 5.25 V, V_i = 0.4 V$
	Other inputs		—	—	-0.4	mA	
Short-circuit output current		I_{OS}	-20	—	-100	mA	$V_{CC} = 5.25 V$
Supply current**		I_{CC}	—	21	36	mA	$V_{CC} = 5.25 V$
Input clamp voltage		V_{IK}	—	—	-1.5	V	$V_{CC} = 4.75 V, I_{IN} = -18 mA$

Note: * $V_{CC} = 5 V, T_a = 25^{\circ}C$

** With the outputs open, clock inhibit and clock at 4.5 V, and a clock pulse applied to the shift / load, I_{CC} is measured with the parallel inputs at 4.5 V, than with the parallel inputs grounded.

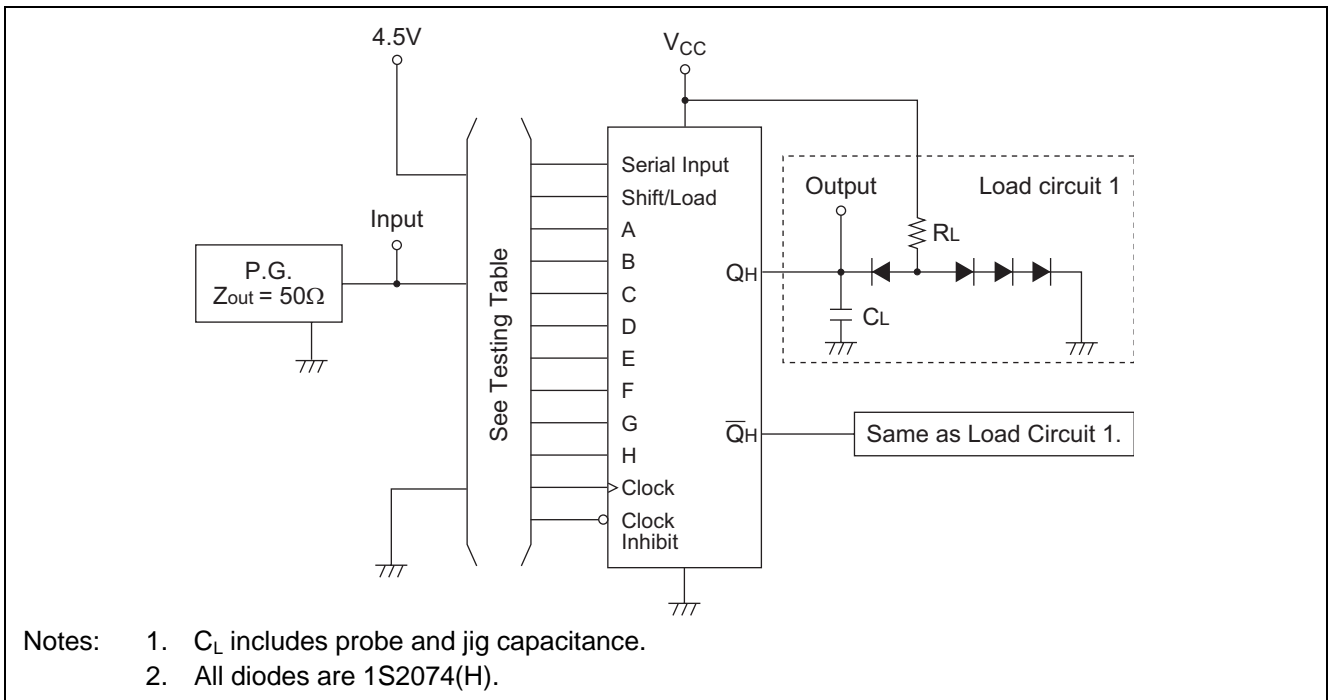
Switching Characteristics

($V_{CC} = 5 V, T_a = 25^{\circ}C$)

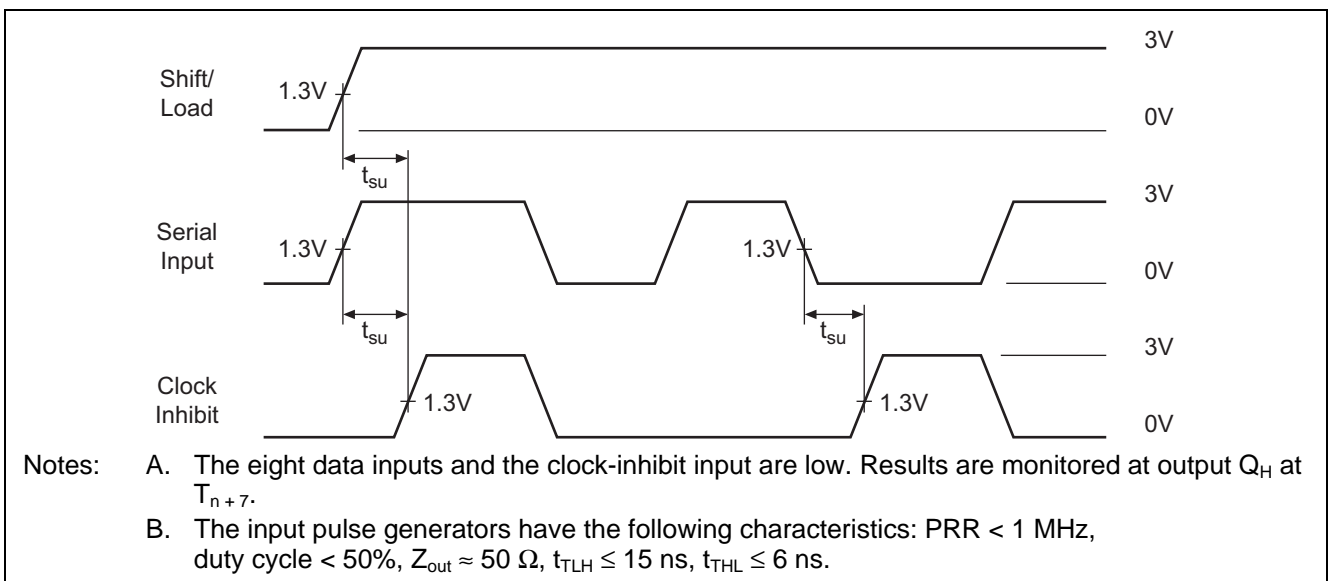
Item	Symbol	Inputs	Outputs	min.	typ.	max.	Unit	Condition
Maximum clock frequency	f_{max}			25	35	—	MHz	$C_L = 15 pF, R_L = 2 k\Omega$
Propagation delay time	t_{PLH}	Load	Any	—	21	35	ns	
	t_{PHL}			—	26	35	ns	
	t_{PLH}	Clock	Any	—	14	25	ns	
	t_{PHL}			—	16	25	ns	
	t_{PLH}	H	Q_H	—	13	25	ns	
	t_{PHL}			—	24	30	ns	
	t_{PLH}	H	Q_H	—	19	30	ns	
	t_{PHL}			—	17	25	ns	

Testing Method

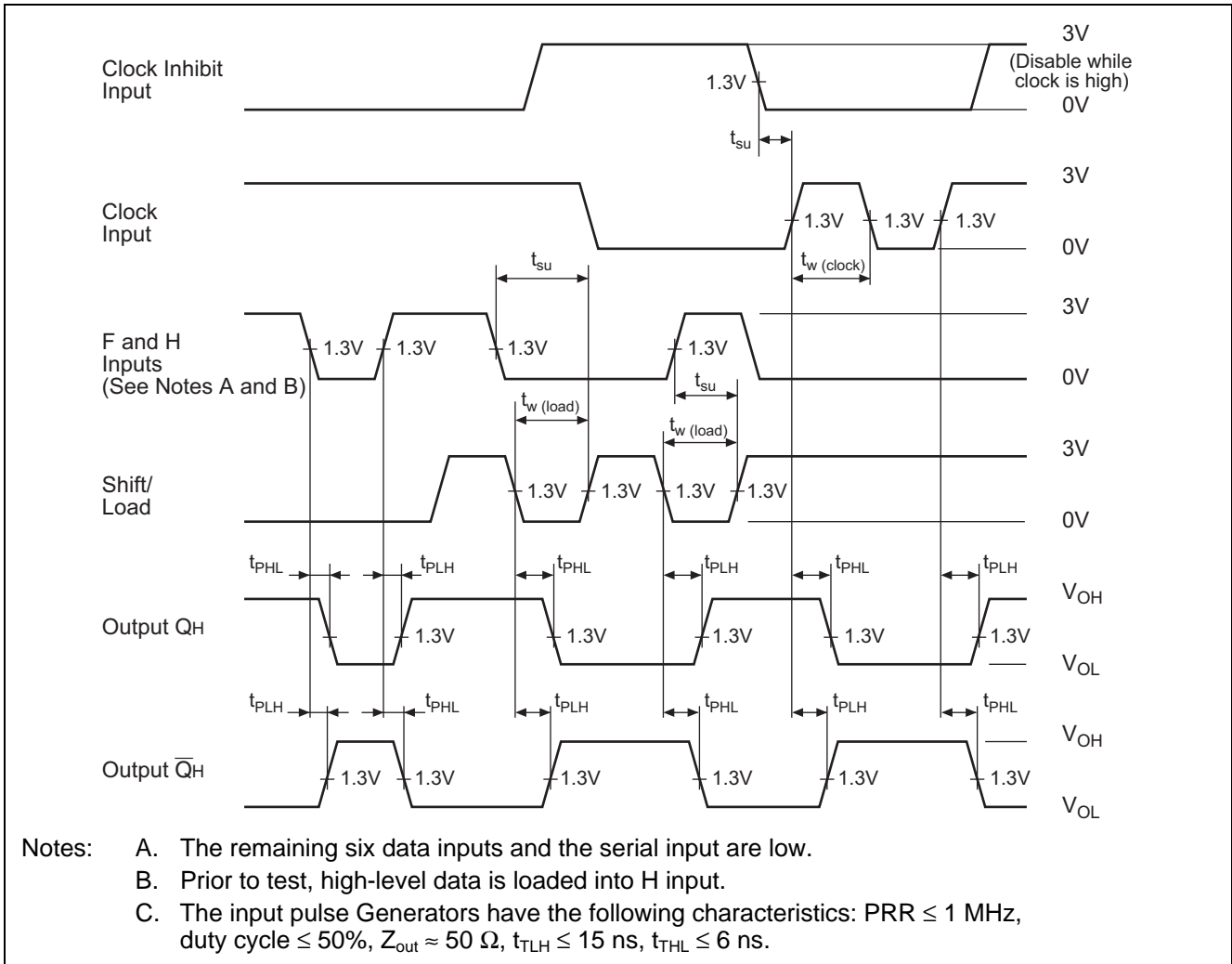
Test Circuit



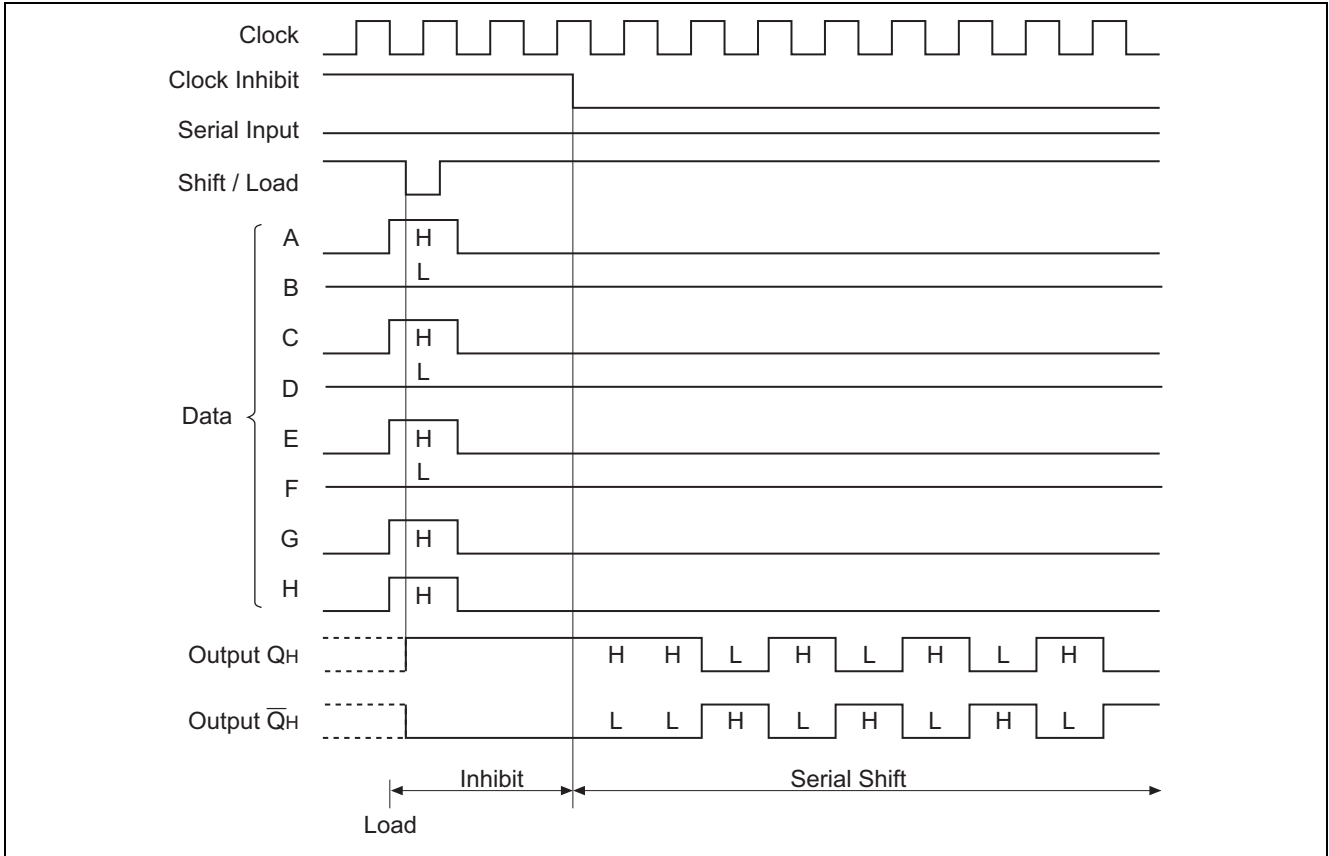
Waveforms 1



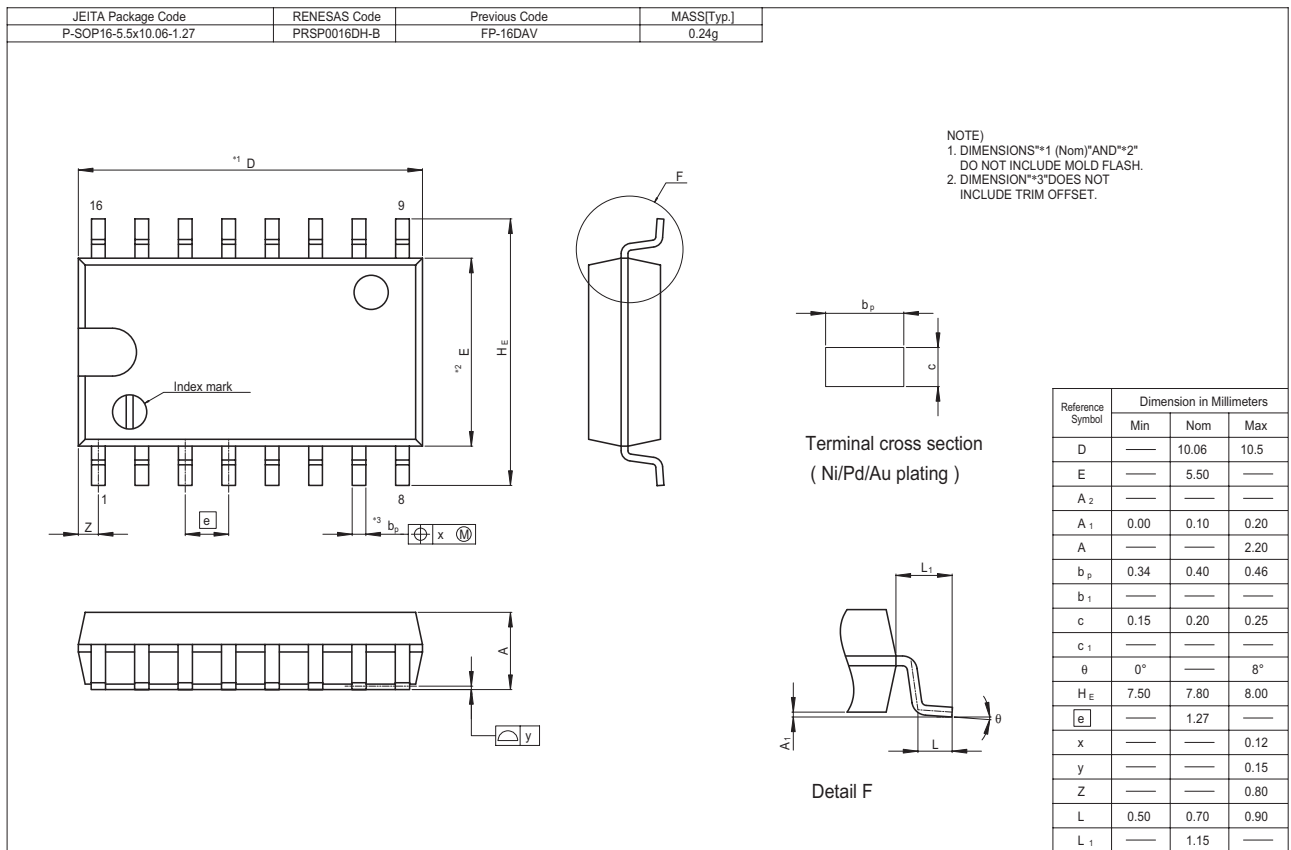
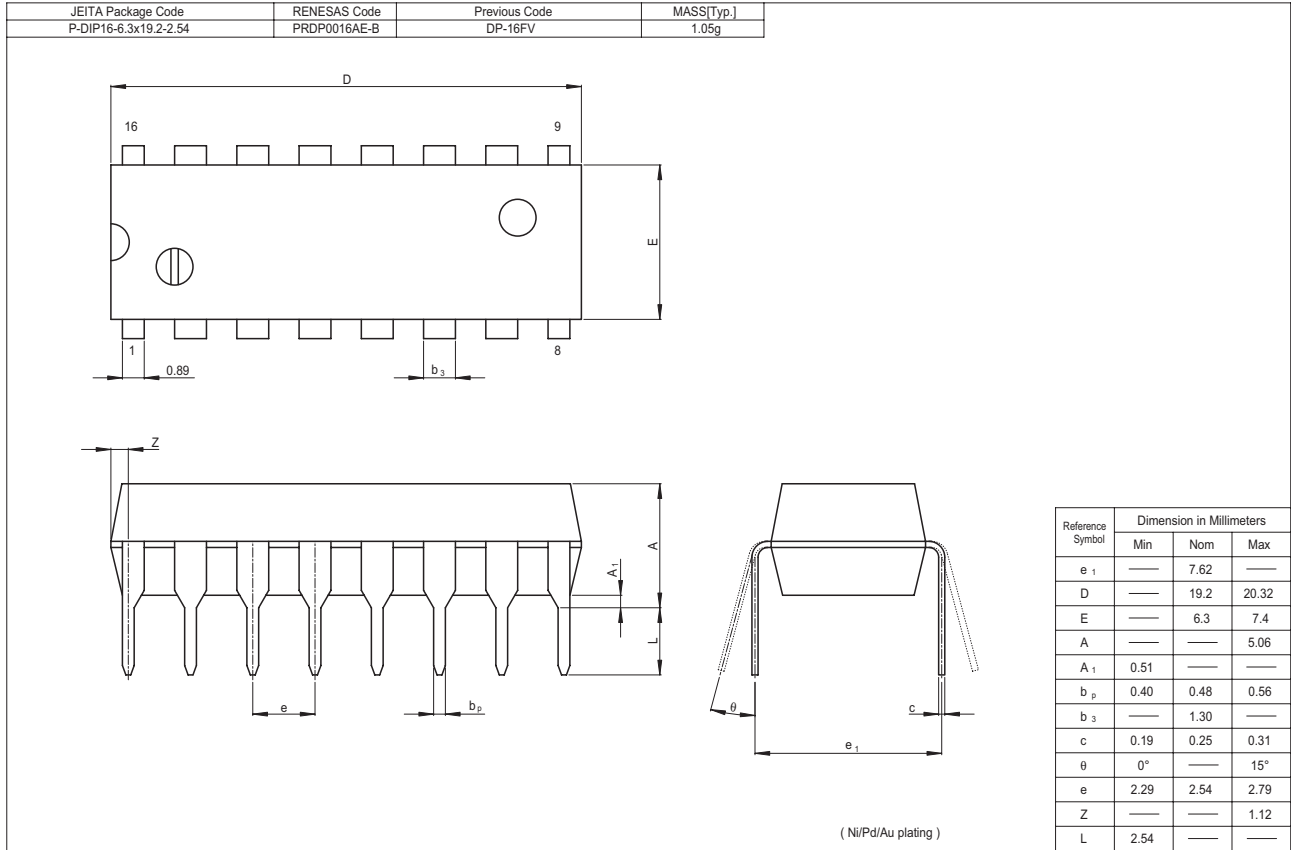
Waveforms 2



Typical Shift, Load and Inhibit Sequences



Package Dimensions



Renesas Technology Corp. Sales Strategic Planning Div. Nippon Bldg., 2-6-2, Ohte-machi, Chiyoda-ku, Tokyo 100-0004, Japan

Keep safety first in your circuit designs!

1. Renesas Technology Corp. puts the maximum effort into making semiconductor products better and more reliable, but there is always the possibility that trouble may occur with them. Trouble with semiconductors may lead to personal injury, fire or property damage. Remember to give due consideration to safety when making your circuit designs, with appropriate measures such as (i) placement of substitutive, auxiliary circuits, (ii) use of nonflammable material or (iii) prevention against any malfunction or mishap.

Notes regarding these materials

1. These materials are intended as a reference to assist our customers in the selection of the Renesas Technology Corp. product best suited to the customer's application; they do not convey any license under any intellectual property rights, or any other rights, belonging to Renesas Technology Corp. or a third party.
2. Renesas Technology Corp. assumes no responsibility for any damage, or infringement of any third-party's rights, originating in the use of any product data, diagrams, charts, programs, algorithms, or circuit application examples contained in these materials.
3. All information contained in these materials, including product data, diagrams, charts, programs and algorithms represents information on products at the time of publication of these materials, and are subject to change by Renesas Technology Corp. without notice due to product improvements or other reasons. It is therefore recommended that customers contact Renesas Technology Corp. or an authorized Renesas Technology Corp. product distributor for the latest product information before purchasing a product listed herein.
The information described here may contain technical inaccuracies or typographical errors.
Renesas Technology Corp. assumes no responsibility for any damage, liability, or other loss rising from these inaccuracies or errors.
Please also pay attention to information published by Renesas Technology Corp. by various means, including the Renesas Technology Corp. Semiconductor home page (<http://www.renesas.com>).
4. When using any or all of the information contained in these materials, including product data, diagrams, charts, programs, and algorithms, please be sure to evaluate all information as a total system before making a final decision on the applicability of the information and products. Renesas Technology Corp. assumes no responsibility for any damage, liability or other loss resulting from the information contained herein.
5. Renesas Technology Corp. semiconductors are not designed or manufactured for use in a device or system that is used under circumstances in which human life is potentially at stake. Please contact Renesas Technology Corp. or an authorized Renesas Technology Corp. product distributor when considering the use of a product contained herein for any specific purposes, such as apparatus or systems for transportation, vehicular, medical, aerospace, nuclear, or undersea repeater use.
6. The prior written approval of Renesas Technology Corp. is necessary to reprint or reproduce in whole or in part these materials.
7. If these products or technologies are subject to the Japanese export control restrictions, they must be exported under a license from the Japanese government and cannot be imported into a country other than the approved destination.
Any diversion or reexport contrary to the export control laws and regulations of Japan and/or the country of destination is prohibited.
8. Please contact Renesas Technology Corp. for further details on these materials or the products contained therein.



RENESAS SALES OFFICES

<http://www.renesas.com>

Refer to "<http://www.renesas.com/en/network>" for the latest and detailed information.

Renesas Technology America, Inc.

450 Holger Way, San Jose, CA 95134-1368, U.S.A
Tel: <1> (408) 382-7500, Fax: <1> (408) 382-7501

Renesas Technology Europe Limited

Dukes Meadow, Millboard Road, Bourne End, Buckinghamshire, SL8 5FH, U.K.
Tel: <44> (1628) 585-100, Fax: <44> (1628) 585-900

Renesas Technology Hong Kong Ltd.

7th Floor, North Tower, World Finance Centre, Harbour City, 1 Canton Road, Tsimshatsui, Kowloon, Hong Kong
Tel: <852> 2265-6688, Fax: <852> 2730-6071

Renesas Technology Taiwan Co., Ltd.

10th Floor, No.99, Fushing North Road, Taipei, Taiwan
Tel: <886> (2) 2715-2888, Fax: <886> (2) 2713-2999

Renesas Technology (Shanghai) Co., Ltd.

Unit2607 Ruijing Building, No.205 Maoming Road (S), Shanghai 200020, China
Tel: <86> (21) 6472-1001, Fax: <86> (21) 6415-2952

Renesas Technology Singapore Pte. Ltd.

1 Harbour Front Avenue, #06-10, Keppel Bay Tower, Singapore 098632
Tel: <65> 6213-0200, Fax: <65> 6278-8001

Renesas Technology Korea Co., Ltd.

Kukje Center Bldg. 18th Fl., 191, 2-ka, Hangang-ro, Yongsan-ku, Seoul 140-702, Korea
Tel: <82> 2-796-3115, Fax: <82> 2-796-2145

Renesas Technology Malaysia Sdn. Bhd.

Unit 906, Block B, Menara Amcorp, Amcorp Trade Centre, No.18, Jalan Persiaran Barat, 46050 Petaling Jaya, Selangor Darul Ehsan, Malaysia
Tel: <603> 7955-9390, Fax: <603> 7955-9510